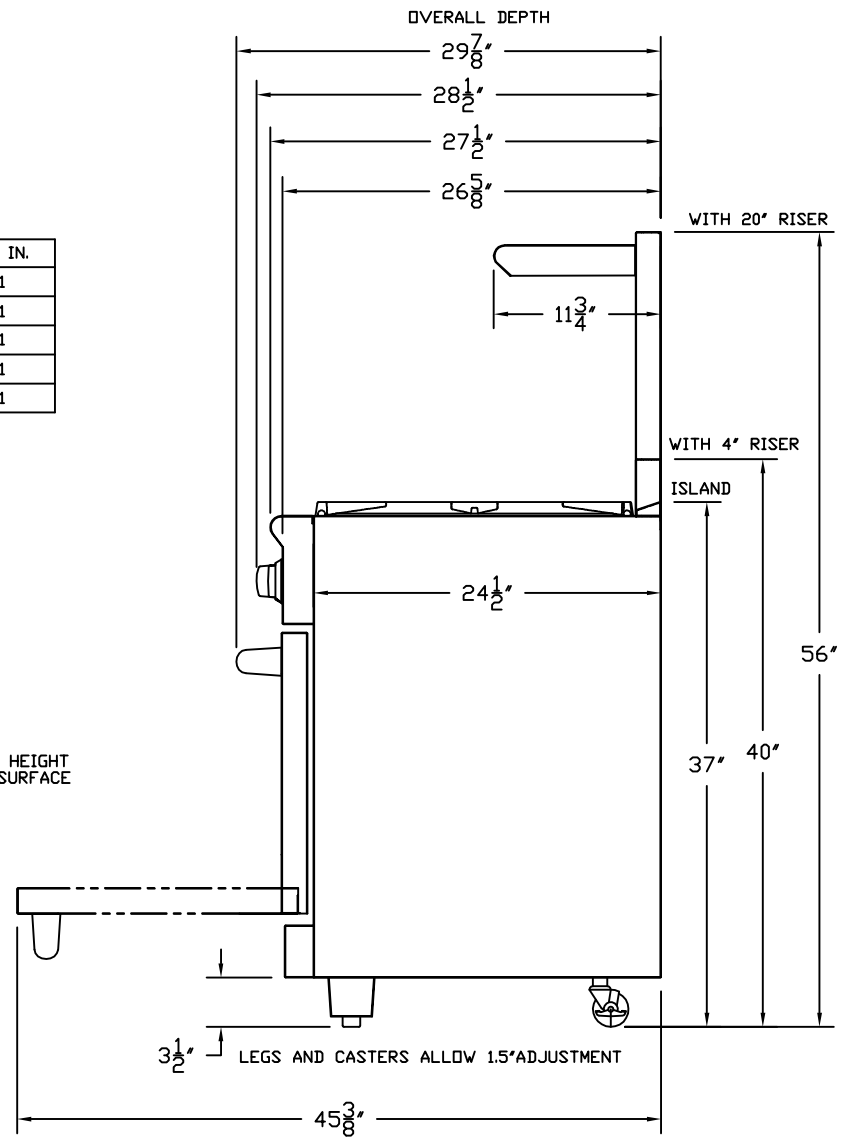
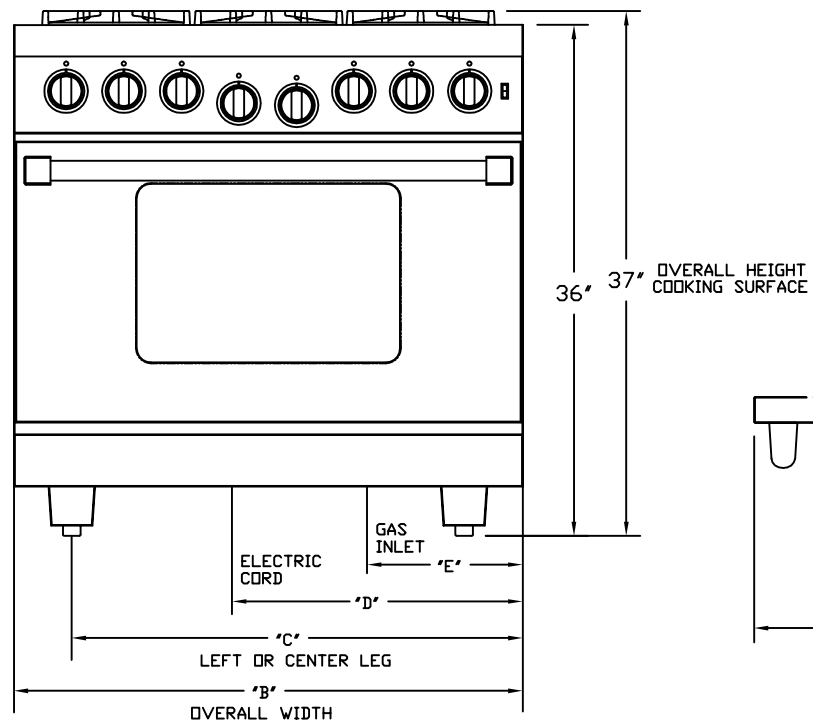


OVERALL DIMENSIONS

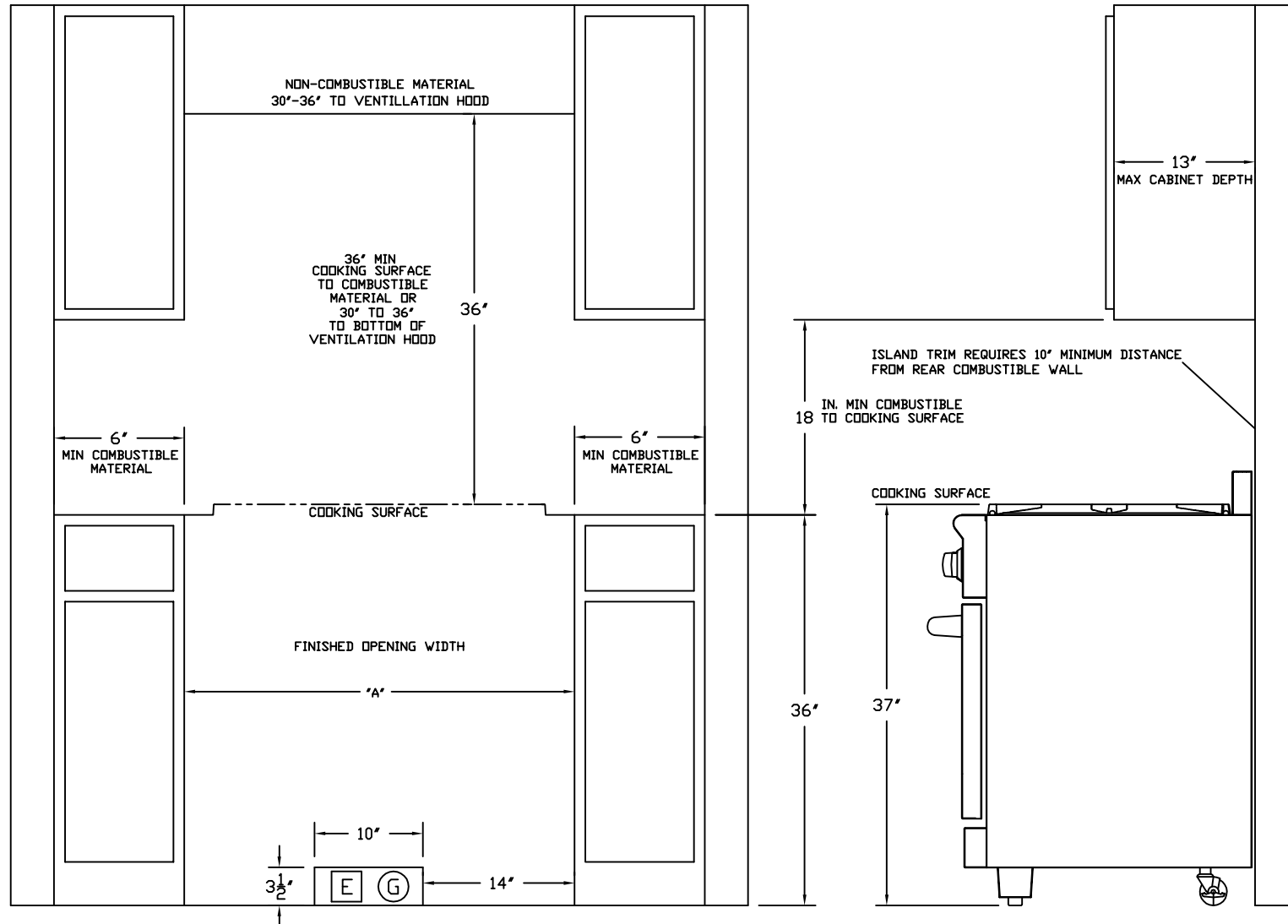
GAS RANGES

SIZE	'A' IN.	'B' IN.	'C' IN.	'D' IN.	'E' IN.
24 IN.	24	23.875	19 3/4	18	11
30 IN.	30	29.875	25 3/4	20 1/2	11
36 IN.	36	35.875	31 3/4	24	11
48 IN.	48	47.875	25 3/4	20 1/2	11
60 IN.	60	59.875	25 3/4	20 1/2	11



INSTALLATION SPECIFICATIONS

GAS RANGES



(G) (E) LOCATION OF GAS AND ELECTRICAL SUPPLY

ELECTRIC OUTLET - STANDARD 3 PRONG 120 V
 ALLOW FOR A SHUT OFF VALVE AT GAS OUTLET
 ISLAND OR PENINSULA INSTALLATIONS REQUIRES A 10" MINIMUM CLEARANCE FROM BACK OF RANGE TO A COMBUSTIBLE SURFACE
 ISLAND TRIM 0 IN. CLEARANCE TO NON COMBUSTIBLE SURFACE
 NO SIDE WALL ABOVE COOKING SURFACE
 ALLOW FOR A SHUT OFF VALVE AT GAS OUTLET
 LOCK CASTERS AFTER FINAL INSTALLATION - ROTATE CLOCKWISE THE BUTTERFLY LEVER FOR EAC CASTER
 VERIFY PROPER INSTALLATION OF THE ANTI-TIP MECHANISM - REVIEW INSTALLATION INSTRUCTIONS.