

AMERICAN RANGE®

A  Company

Project _____

Item # _____

Quantity _____

48" GREEN FLAME RANGES

GAS TYPE: NATURAL LP



ARGF-8

STANDARD FEATURES

- Stainless steel sides, front and 6" deep front landing ledge.
- Adjustable 6" steel legs (casters optional).
- Choice of: 6" high stainless-steel stub back, high riser or high riser with shelf at no charge.
- Two year limited warranty, parts and labor.
- Base options are two super saver ovens or storage base.

OPEN BURNERS

- 12" x 12" cast-iron top grates.
- 25,000 BTU/hrs. burners with electronic ignition, no standing pilot.
- Removable full width drip pan under burner.

STANDARD 20" SPACE SAVER OVEN

- Steel oven burner rated at 27,000 BTU/hr.
- Oven dimensions: 20"W x 26 1/2"D x 13 1/2"H.
- Thermostat ranging from 250°F to 500°F (121°C to 260°C).
- Oven Door: Spring assisted, counterweight door.
- Two chrome plated oven racks (additional racks optional).
- Porcelain enamel oven interior for easy cleaning.
- 100% safety gas shut off.

AVAILABLE OPTIONS

- Swivel Casters (set of four – two with front brakes).
- Storage Cabinet Base. (In place of standard oven).



Model Shown ARGF-8

Shown with optional casters

DESCRIPTION

American Range, Green Flame range size 48" x 32-1/2" x 56"
Stainless steel front, sides, backriser, shelf and 6" adjustable legs. Removable full width drip pan. 25,000 BTU/hr. open burners with lift-off burner heads. Heavy-duty cast iron grates, 12" x 12". Burner knobs are cool to the touch, high temperature material. Two ovens: 27,000 BTU/hr. Space Saver ovens, with porcelain interior and inside door panel, oven interior measures 20"W x 26-1/2"D x 13-1/2"H. Oven thermostat adjusts from 250°F to 500°F. Both ovens supplied with two racks, two rack guide sets, and four rack positions. Oven door with a spring assisted, counterweight mechanism requiring no adjustment. Rear gas connection and pressure regulator.



DESIGNED & BUILT IN USA
PROFESSIONAL COOKING EQUIPMENT

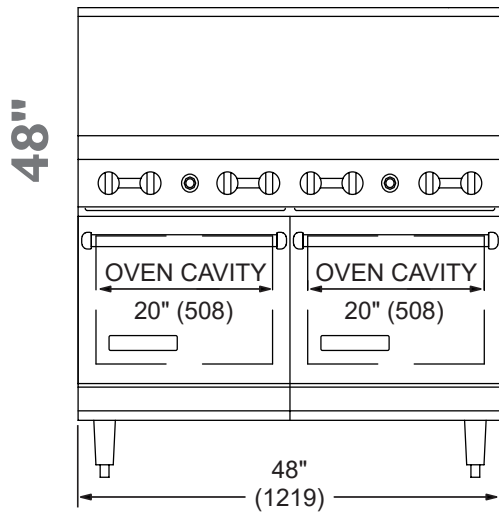
A----- RevA 09272023

AMERICAN RANGE®

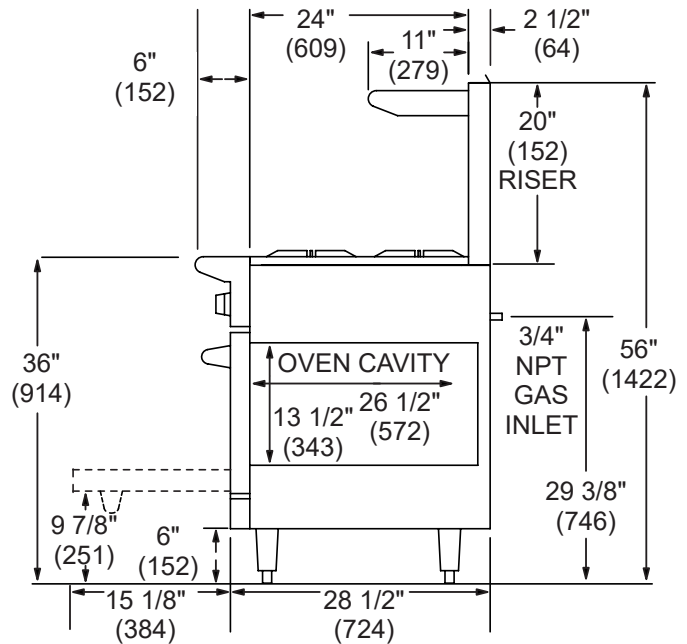
A  Company

13592 Desmond St Pacoima CA 91331
T. 818.897.0808 Toll Free: 888.753.9898
www.AmericanRange.com

48" GREEN FLAME RANGES



**Front 48" Super Saver
Oven Base**



Side Super Saver Oven Base

TOP	MODEL	BTU	(KW)	BURNERS	GRIDDLE SIZE	*Shipping Weight	
						LBS	(KG)
48"	ARGF-8	254,000	(74)	8	N/A	580	(264)
	ARGF-8-DSB	200,000	(59)	8	N/A	460	(209)

"DSB" = Double Storage Base

Specify type of gas and altitude if over 2000 feet.

Please specify gas type when ordering.

NMFCCODE: 25970-2 Class: 85

*Shipping weight includes packaging and is approximate.

NATURAL GAS	MANIFOLD PRESSURE		MANIFOLD SIZE
	PROPANE GAS		
5.0" W.C.	10.0" W.C.	3/4" (19MM)	

COMBUSTIBLE WALL CLEARANCES:

For use only on non-combustible floors. Legs or casters are required, or 2" (51) overhang is required when curb mounted. Clearance from non-combustible walls is 0". When unit is placed next to combustible walls, clearances must exceed 12" (305) from sides, and 4" (102) from rear.

Commercial cooking equipment requires an adequate ventilation system. For additional information, refer to the National Fire Protection Association's standard.

NFPA96 "Vapor Removal from Cooking Equipment." (NOTE: For North America only)

American Range is a quality manufacturer of commercial cooking equipment. Because of continuing product improvements these specifications are subject to change without prior notice.

DESIGNED & BUILT IN USA
PROFESSIONAL COOKING EQUIPMENT



A----- RevA 09142023

AMERICAN RANGE

A **hatco** Company

13592 Desmond St Pacoima CA 91331
T. 818.897.0808 Toll Free: 888.753.9898
www.AmericanRange.com